

FREE POINT SPECIFICATIONS



FREE POINT SYSTEMS

FREE POINT SYSTEMS

Tool Diameter	1 1/16" (17.5mm)	1" (25.4mm)	1 3/8" (35mm)	1 5/8" (41.3mm)
Min Pipe Diameter	1.0" (25.4mm)	1.5" (38.1mm)	1.75" (44.5mm)	1.75" (44.5mm)
Max Pipe Diameter	4.5" (114.3mm)	4.5" (114.3mm)	4.5" (114.3mm)	5.625" (142.9mm)
Tool Length	118" (3m)	137.5" (3.49m)	136.75" (3.47m)	133.5" (3.39m)
Tool Weight	9lbs (4.1kg)	20.5lbs (9.3kg)	38lbs (17.3kg)	50lbs (22.7kg)
Max Temperature	500°F (260°C)	500°F (260°C)	500°F (260°C)	500°F (260°C)
Max Pressure	21,000psi (144 MPa)	21,000psi (144 MPa)	21,000psi (144 MPa)	21,000psi (144 MPa)*

*Note: 1 5/8" HP 30,000 psi (207MPa) Max Pressure



FREE POINT PRODUCT RANGES

Part No.	Description	Page
----------	-------------	------

1 1/16"

AS1-00FP	1 1/16" Free Point Complete Assy	FP0-3
AS1-00FPM	1 1/16" Free Point Complete with Magnet Section	FP0-3

1"

AS3-00FP	1" Free Point Complete Assy *	FP0-12
AS3-00FPM	1" Free Point Complete with Magnet Section*	FP0-12

1 3/8"

AS4-00FP-16	1 3/8" X 16 Stroke Free Point Complete Assy *	FP0-19
AS4-00FPM	1 3/8" X 16 Stroke Free Point Complete With Magnet Section *	FP0-19

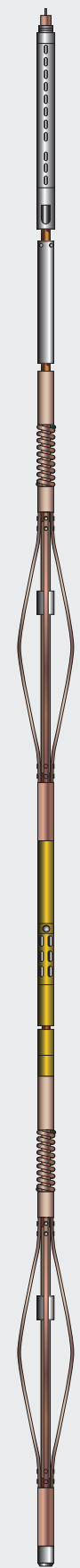
1 5/8"

AS6-00FP-16	1 5/8" X 16 Stroke Free Point Complete Assy*	FP0-26
AS6-00FPM-16	1 5/8" X 16 Stroke Free Point Complete With Magnet Section*	FP0-26

1 5/8" HIGH PRESSURE

AS6-00FPHP-36	1 5/8" X 36 Stroke Free Point Complete Assy*	FP0-33
---------------	--	--------

*Options available



FREE POINT COMPONENTS

11/16" Free Point Assembly

Ref.	Part No.	Description
1	AS1-00FP	11/16" Free Point Complete Assy
2	AS1-0002	11/16" Slack Joint Section Complete Assy
3	AS1-0003	11/16" Upper Bow Spring Complete Assy
4	AS1-0004	11/16" Sensor Section Complete Assy
5	AS1-0005	11/16" Lower Bow Spring Complete Assy
6	0.6250031	Shot Rod 1/4 X 5
7	0.6870085	11/16" Shot Rod Bull Plug
8	AS1-0015	11/16" Shot Rod Hanger
9	AS1-0014	Tear Drop Sub
10	AS0-0019	5/8 Resistor Sub
11	0.687-0038	11/16" Freepoint Bull Plug

OPTIONS:

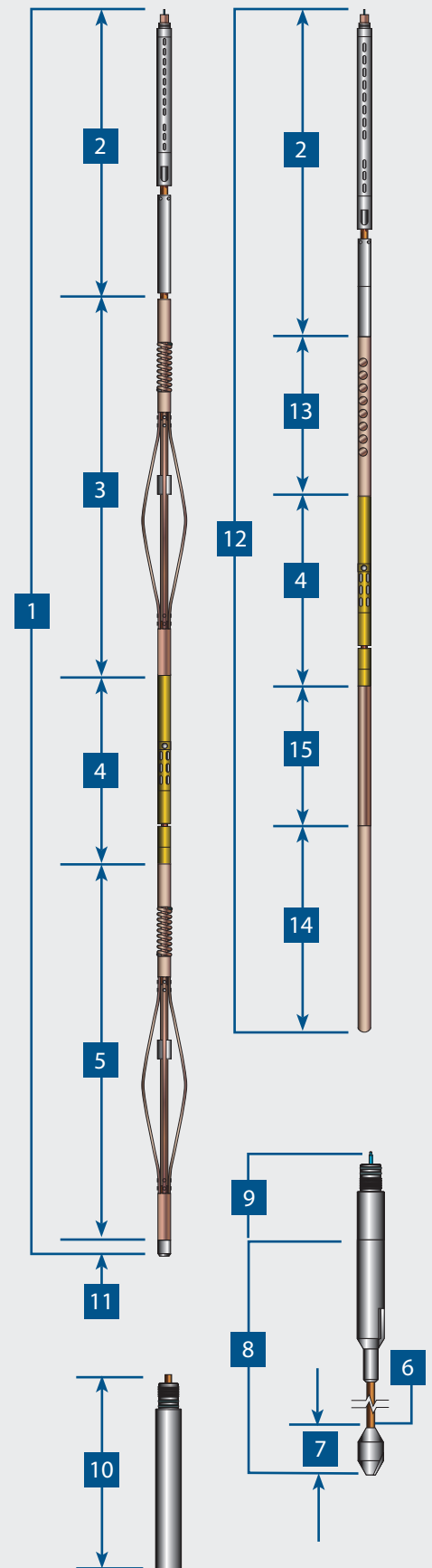
None

11/16" Free Point Magnet Tool Assembly

Ref.	Part No.	Description
12	AS1-00FPM	11/16" Free Point Complete Assy with Magnet Section
2	AS1-0002	11/16" Slack Joint Section Complete Assy
4	AS1-0004	11/16" Sensor Section Complete Assy
6	0.6250031	Shot Rod 1/4 X 5
8	AS1-0015	11/16" Shot Rod Hanger
13	AS1-0010	11/16" Upper Magnet Section Assy
14	AS1-0011	11/16" Lower Magnet Section Assy
15	AS1-0012	11/16" Magnet Extension Assy

OPTIONS:

None



FREE POINT COMPONENTS

1 5/8" Free Point Assembly

Ref.	Part No.	Description
12	AS6-00FP-16	1 5/8" Free Point Tool-16" Stroke
1	AS6-0094-16	1 5/8" AES Slack Joint-16" Stroke Complete Assy
2	AS6-0093	1 5/8" AES Upper & Lower Bow Spring Complete Assy
3	AS6-0092	1 5/8" AES Sensor Section Complete Assy
4	AS6-0100	1 5/8" Grounded Bull Plug
5	AS6-0101	1 5/8" Combination Diode Sub
6	AS6-0098	1 5/8" Shot Rod Hanger
7	1.3750131	Shot Rod 3/8 X 5Ft 1 & 1 3/8
8	AS6-0099	1 5/8" Bull Plug Shot Rod

OPTIONS:

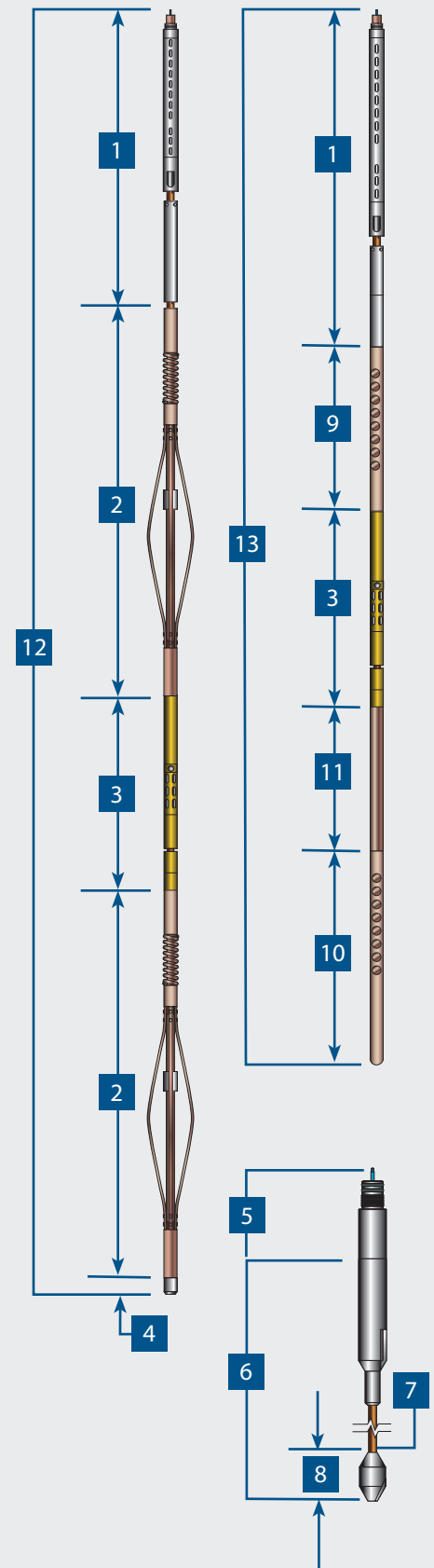
AS6-0092PC	Sensor Section - Piston Compensation
AS6-0093C	Bow Springs: Casing
AS6-0094-24	Slack Joint: 24"
AS6-0094-36	Slack Joint: 36"

1 5/8" Free Point Magnet Tool Assembly

Ref.	Part No.	Description
13	AS6-00FPM-16	1 5/8" Free Point Tool-16" Stroke with Magnets
1	AS6-0094-16	1 5/8" AES Slack Joint-16" Stroke Complete Assy
3	AS6-0092	1 5/8" AES Sensor Section Complete Assy
5	AS6-0098	1 5/8" Shot Rod Hanger
7	1.3750131	Shot Rod 3/8 X 5Ft 1 & 1 3/8
8	AS6-0099	1 5/8" Bull Plug Shot Rod
9	AS6-0096	1 5/8" Upper Magnet Section Assy
10	AS6-0097	1 5/8" Lower Magnet Section Assy
11	AS6-0098	1 5/8" Magnet Extension Assy

OPTIONS:

AS6-0092PC	Sensor Section - Piston Compensation
AS6-0094-24	Slack Joint: 24"
AS6-0094-36	Slack Joint: 36"



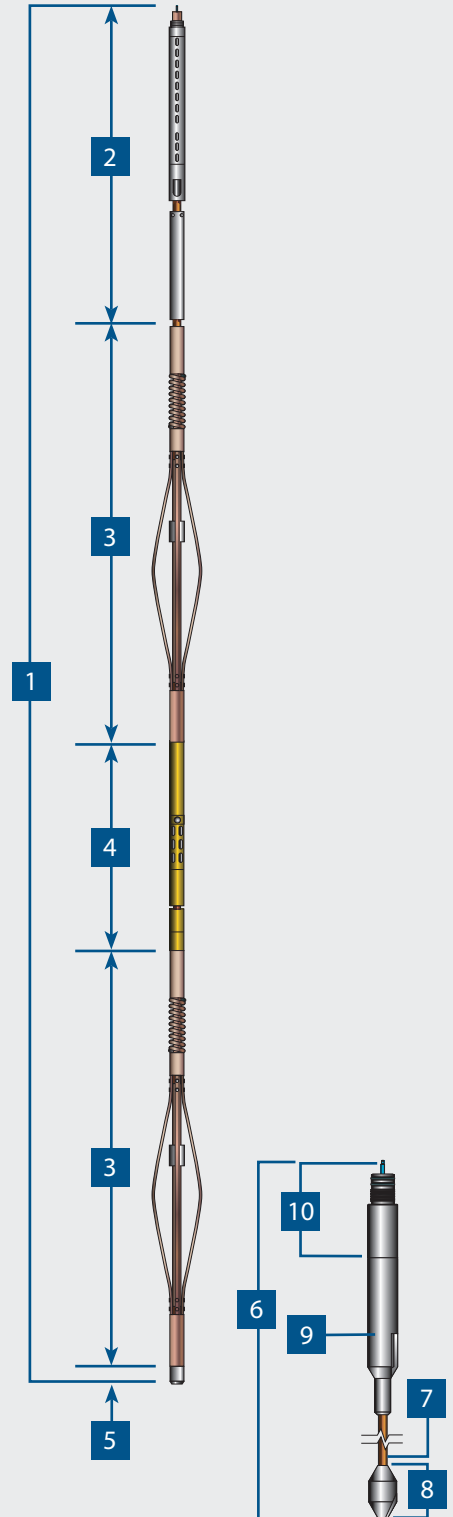
FREE POINT COMPONENTS

1 5/8" High Pressure Free Point Assembly

Ref.	Part No.	Description
1	AS6-00FPHP-36	1 5/8" HighPressureFree Point Tool-16" Stroke
2	AS6-0094-36HP	1 5/8" AES Slack Joint Section Complete Assy
3	AS6-0093HP	1 5/8" AES Upper & Lower Bow Spring Complete Assy
4	AS6-0092PCHP	1 5/8" AES Sensor Section Complete Assy
5	AS6-0100HP	1 5/8" Grounded Bull Plug
6	AS6-0104HP	1 5/8" HP Shot Rod Assy
7	1.3750131	Shot Rod
8	AS6-0099	Bull Plug
9	AS6-0098	Shot Rod Hanger
10	AS6-0101HP	1 5/8" Comb Diode Sub

OPTIONS:

AS6-0093C	Bow Springs:	Casing
-----------	--------------	--------



FREE POINT COMPONENTS

5/8", 11/16", 3/4", 1", 1 3/8" & 1 5/8" Shot Rod Hanger Assembly

Ref.	Part No.	Description
1	ASO-0018	5/8" Shot Rod Hanger Assy (1/4" Rod)
	AS1-0016	11/16" Shot Rod Hanger Assy (1/4" Rod)
	AS2-0015	3/4" Shot Rod Hanger Assy (1/4" Rod)
	AS3-0037	1" Shot Rod Hanger Assy (3/8" Rod)
	AS4-0096	1 3/8" Shot Rod Hanger Assy (3/8" Rod)
	AS6-0104	1 5/8" Shot Rod Hanger Assy (3/8" Rod)
2	ASO-0002	5/8" Shot Rod Hanger Sub (1/2"-20 V Threads)
	AS1-0015	11/16" Shot Rod Hanger Sub (1/2"-20 V Threads)
	AS2-0003	3/4" Shot Rod Hanger Sub (11/16"-28 Stub Acme Threads)
	AS3-0002	1" Shot Rod Hanger Sub (13/16"-16 UN Threads)
	AS4-0002	1 3/8" Shot Rod Hanger Sub (1 3/16"-12 UN Threads)
	AS6-0098	1 5/8" Shot Rod Hanger Sub (1 3/16"-12 UN Threads)
3	0.625-0033	1/4" Shot Rod (1/4"-20 UNC Threads)
	1.375-0131	3/8" Shot Rod (3/8"-16 UNC Threads)
4	0.625-0033	5/8" & 3/4" Shot Rod Bull Plug
	0.687-0085	11/16" Shot Rod Bull Plug
	1.-0125	1" Shot Rod Bull Plug
	1.375-0117	1 3/8" Shot Rod Bull Plug
	1.625-0101	1 5/8" Shot Rod Bull Plug

